

Baoji Xinlian Titanium Industry Co.,Ltd is one of the leading China titanium wing screws manufacturers and suppliers, and also a professional company equipped with factory, welcome to wholesale titanium wing screws from us.

Titanium Wing Screws

Material: Pure titanium,Titanium alloy

Grade: Gr1,Gr2,Gr5(Ti6al4v),Gr7,Gr9

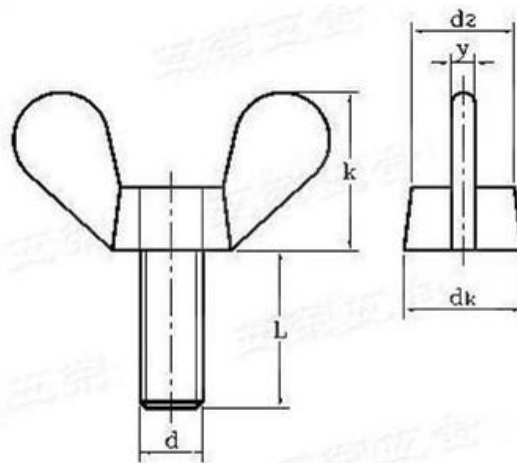
Standard: DIN316

Size: M4-M24

Surface Treatment: Polishing,Anodizing, Nitriding

Color: Ti nature,Gold,Blue,Green,Purple,Black,Rainbow

DIN316
Titanium Wing Screws



Unit:mm

Nominal Diameter	d	M4	M5	M6	M8	M10	M12	M16	M20	M24
Pitch	P	0.7	0.8	1	1.25	1.5	1.75	2	2.5	3
dk	max	8	11	13	16	20	23	29	35	44
	min	6	8	10	13	17	20	26	32	41
d2	max	7	9	11	12.5	16.5	19.5	23	29	37.5
	min	5.5	7.5	9	10.5	14.5	17.5	21	27	35